



# Nereid

## Dimensional inspection of cartridges

The Vimec Nereid inspection system is designed for dimensional inspection of borosilicate glass cartridges. The Nereid system is installed in the forming machine and inspects the top of the cartridge, while the cartridge is held in the machine chuck.

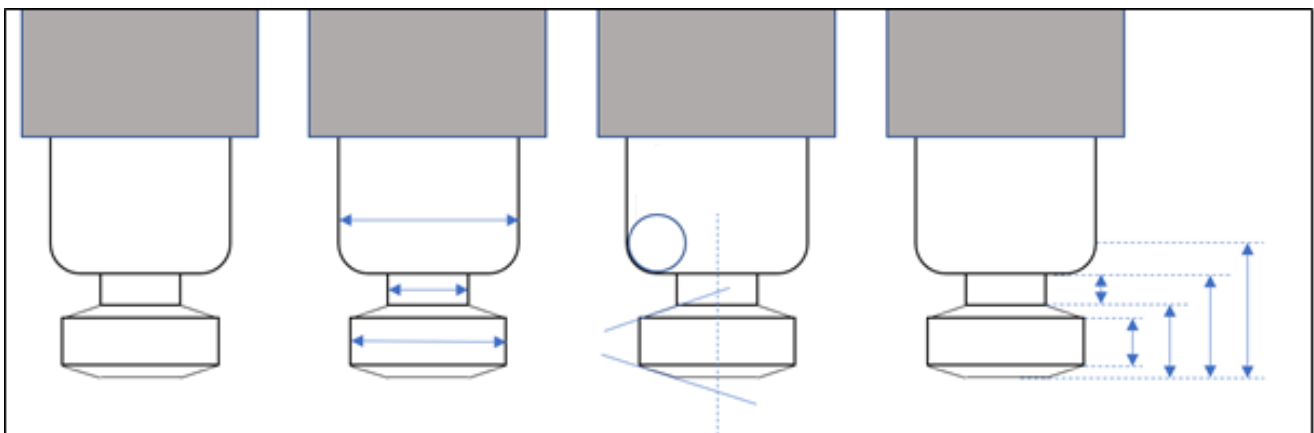
### Inspection principle

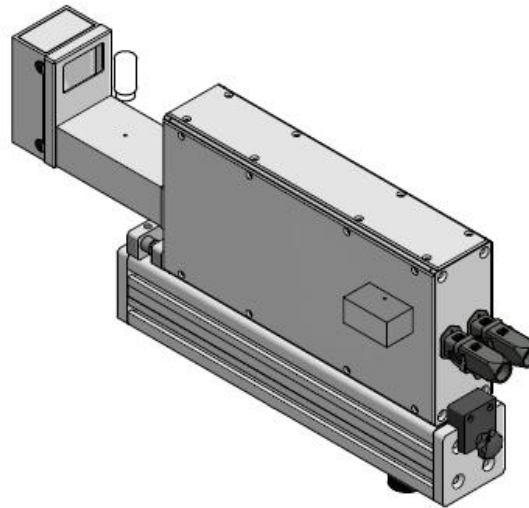
The cartridge is presented to the Nereid machine while it is held in the chuck of the forming machine. During the rotation of the chuck, multiple images of the top of the cartridge are taken by the Nereid system. Reject criteria can be set on the dimensional aspects of the cartridge according to the customer requirements. The Nereid system will provide a reject signal to trigger the reject unit if the cartridge dimensions are not within the tolerances.



Screen shot of image by Nereid system

Schematic overview of measurements by Nereid





Schematic drawing of Nereid system

## Key figures:



60 parts per minute



1 camera



ISO size cartridges



In forming machine



Production insight



Vimec VCenter Software

## Vimec Applied Vision Technology B.V.

With over 25 years experience in the specific market of packaging glass, we are dedicated to design, build and validate visual inspection systems. Vimec offers a multitude in measurement possibilities to cover all your inspection needs.

### Interested?

Contact us for more information!



+31 (0)40 – 255 06 07



[info@vimec.nl](mailto:info@vimec.nl)



[www.vimec.nl](http://www.vimec.nl)

Vimec Applied Vision Technology  
is proud member of:



[www.tiama.com](http://www.tiama.com)